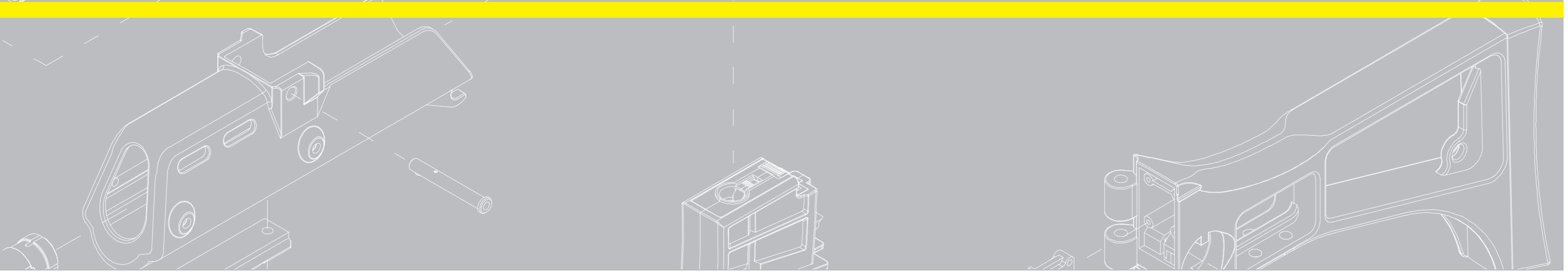
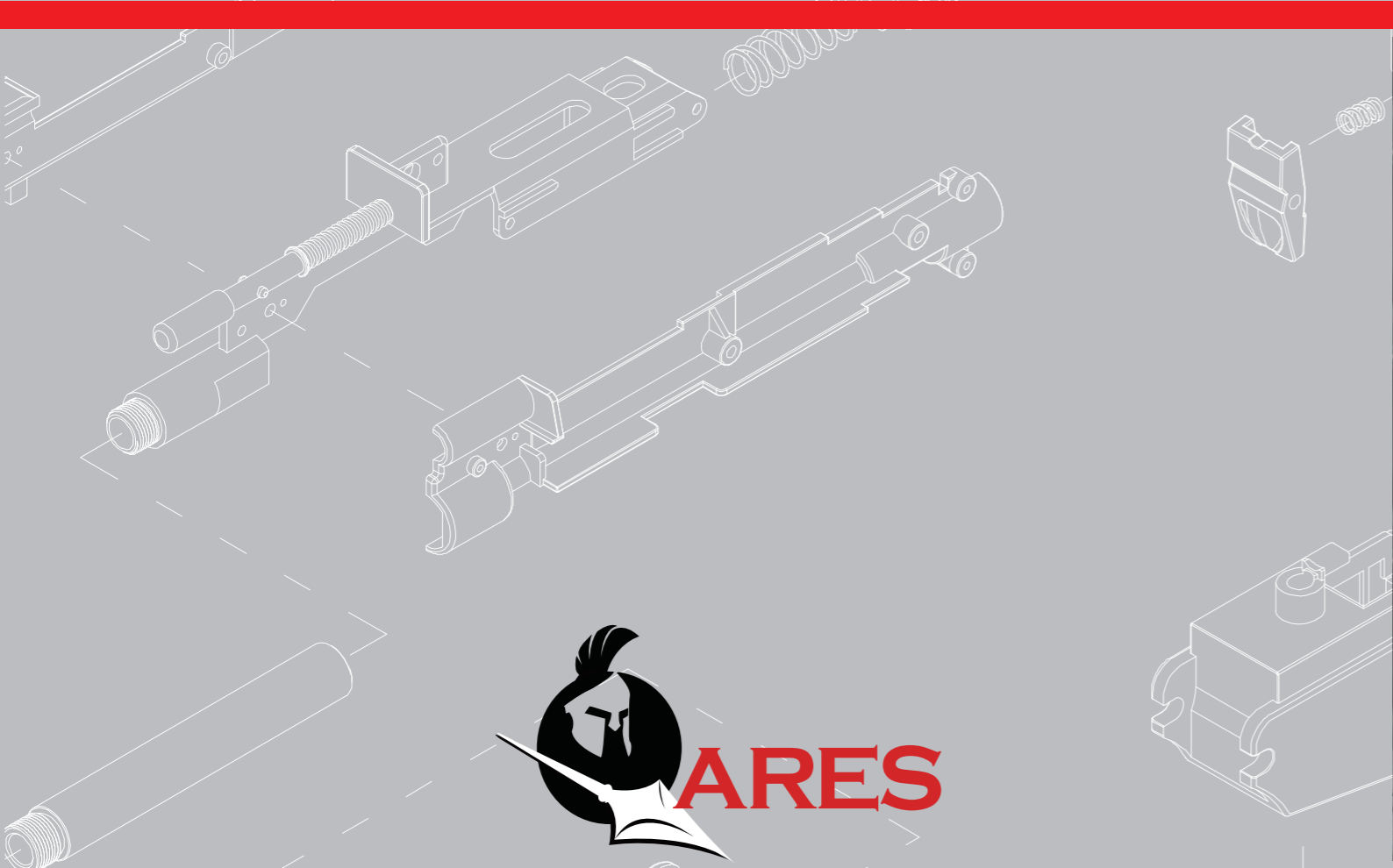
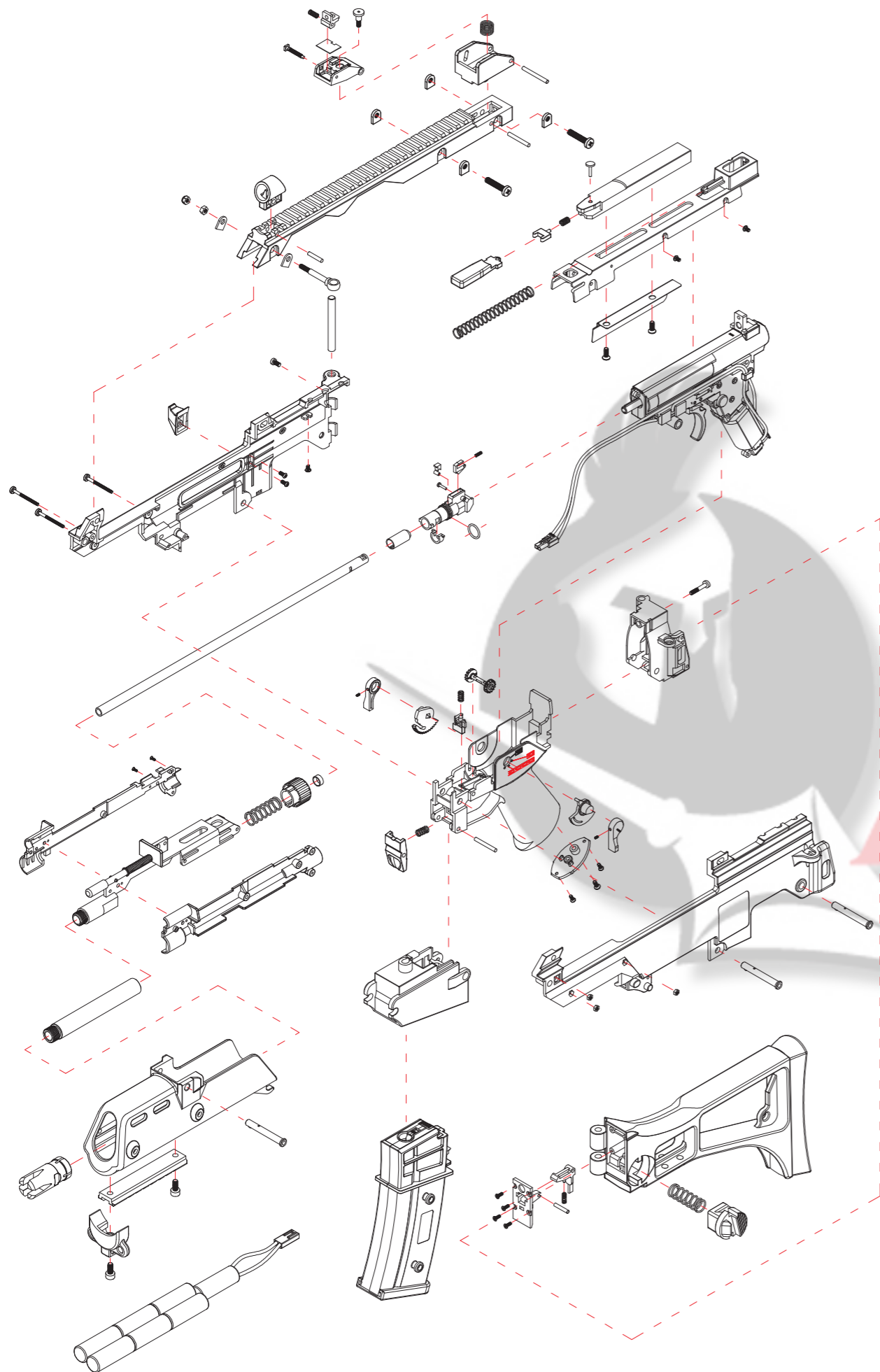


# HK G36C





## **DATA OF ARES HK G36C ELECTRIC GUN**

**MATERIAL: NYLON FIBER & ZINC ALLOY**

**HOPUP SYSTEM: ADJUSTABLE**

**LENGTH: 505MM / 735MM (STOCK EXTENDED)**

**WEIGHT: 2750G**

**MAGAZINE CAPACITY: 140 ROUNDS**

**BULLET: 6MM BB BULLETS**

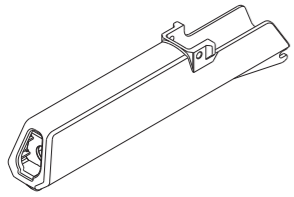
**BATTERY: 8.4V 1700MAH**

**MOTOR: HIGH TORQUE FLAT MOTOR**

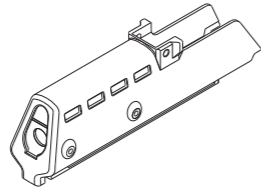


# Optional accessories

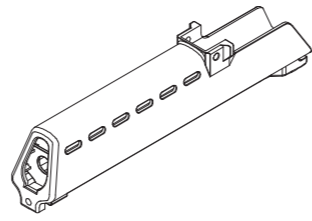
SI-8 Handguard



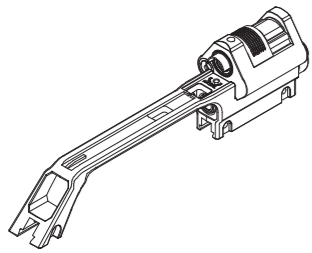
G36KE over size Handguard



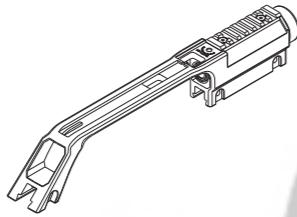
G36 real size Handguard



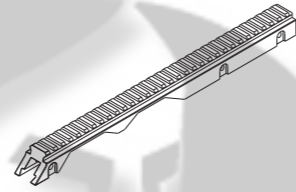
G36 Dual Sighting Handle



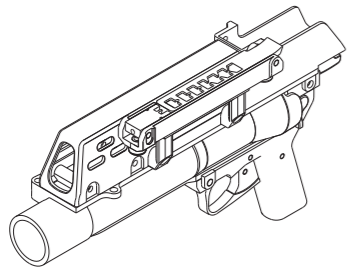
G36 Sighting Handle



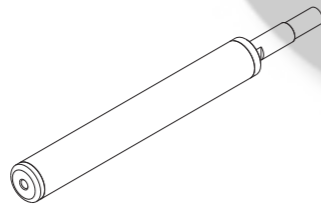
G36 Rail Mount Base



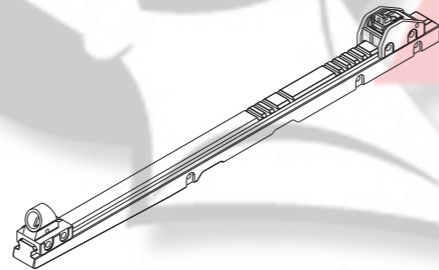
Ag36 Grenade Launcher



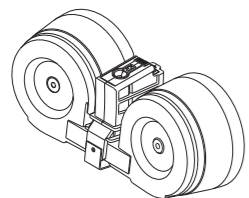
Sound Suppressor



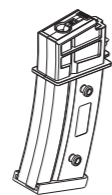
SI-8 Long Sight Rail



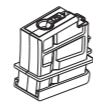
2000 Rds C-Mag



470 Rds Mag

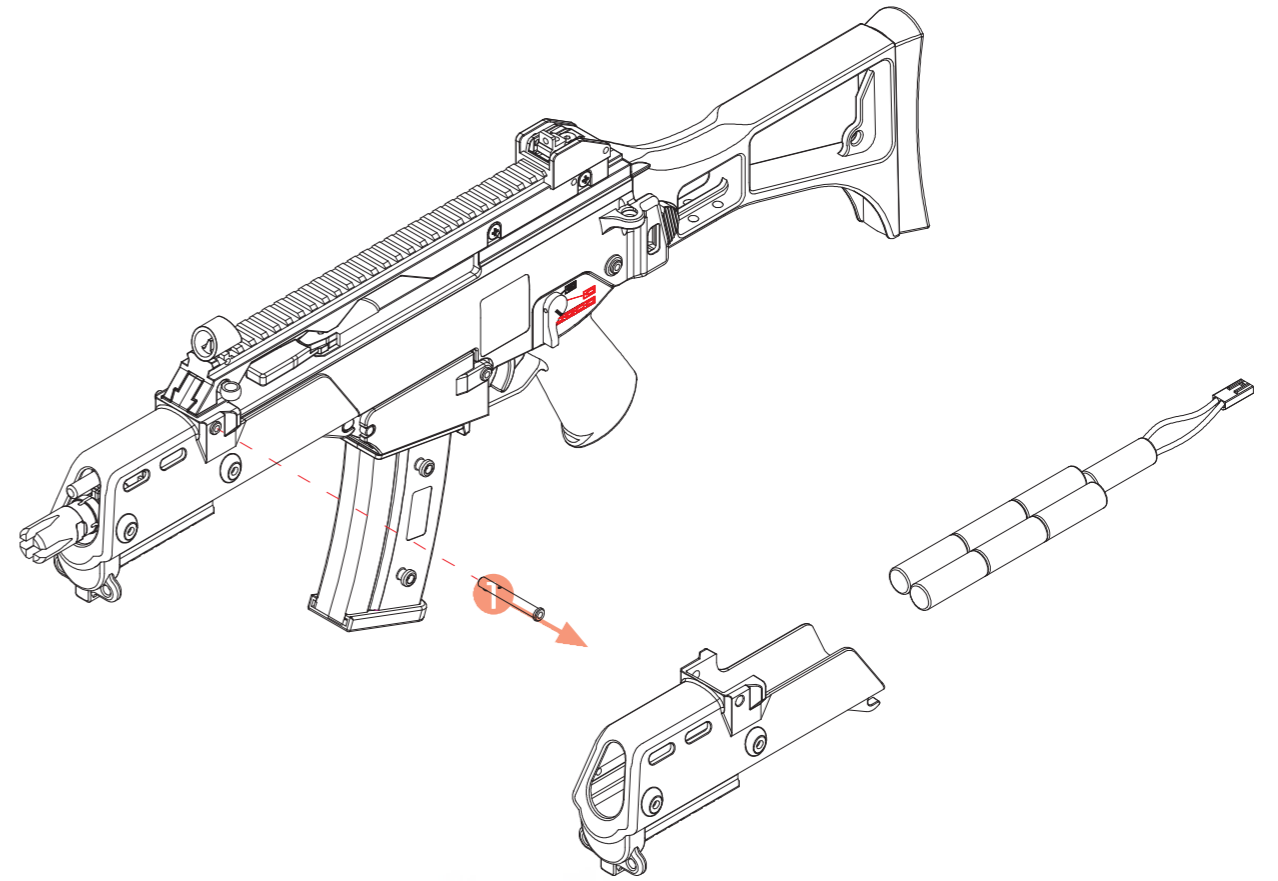


20 Rds Mag

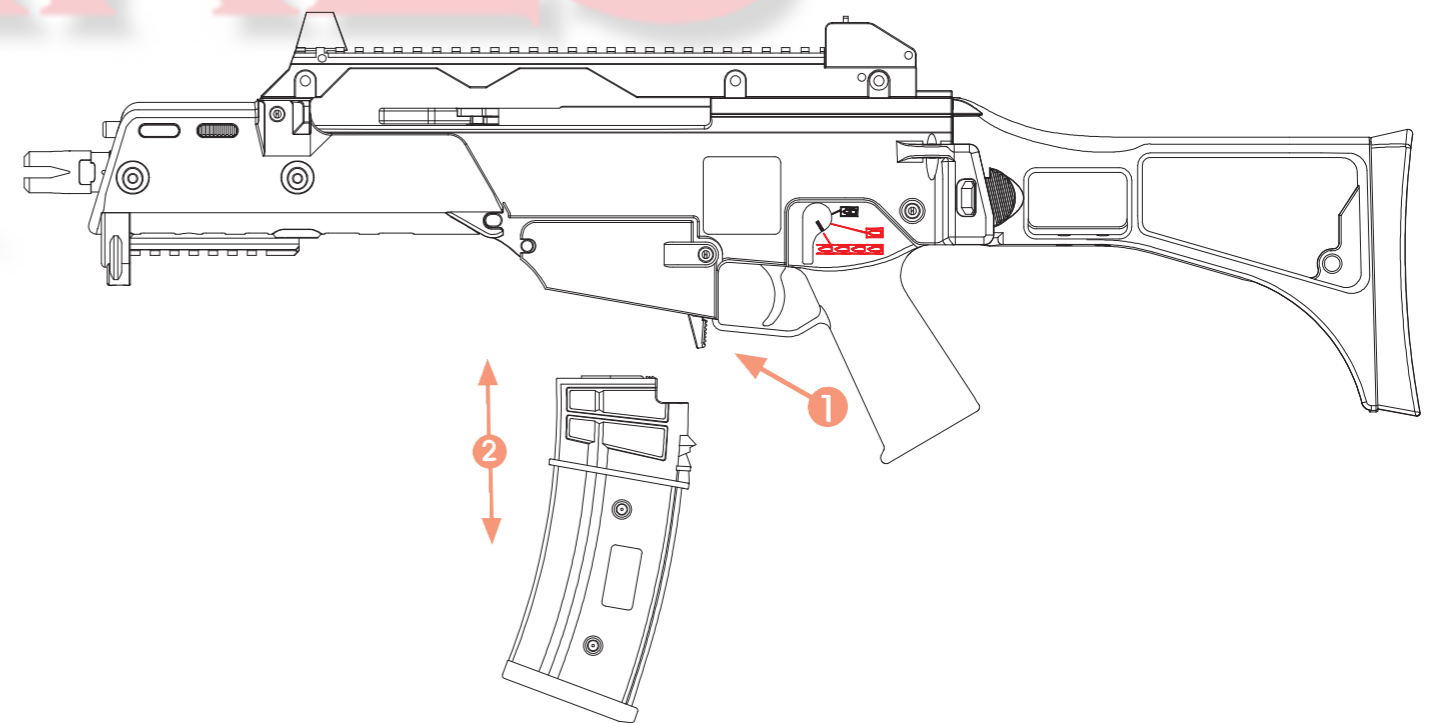


# Insert the battery

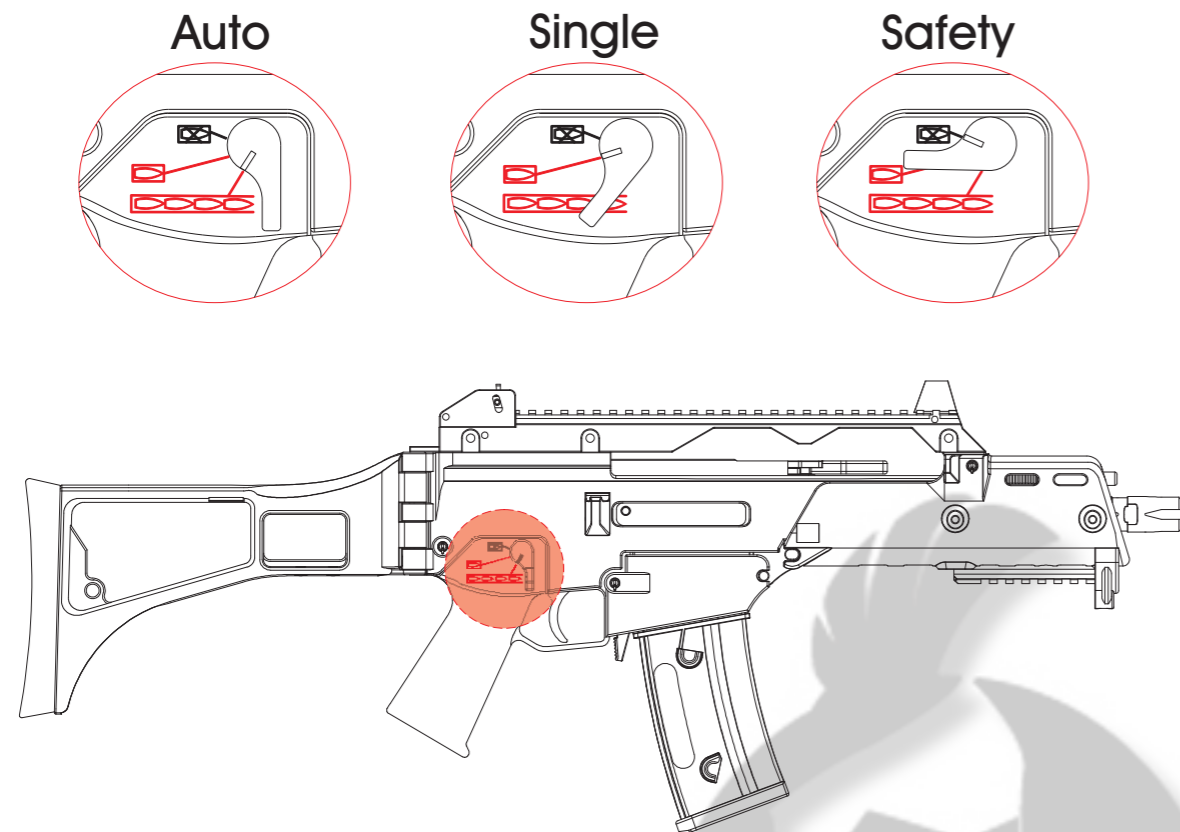
Use the specified battery for your gun.  
8.4V 1700mAh



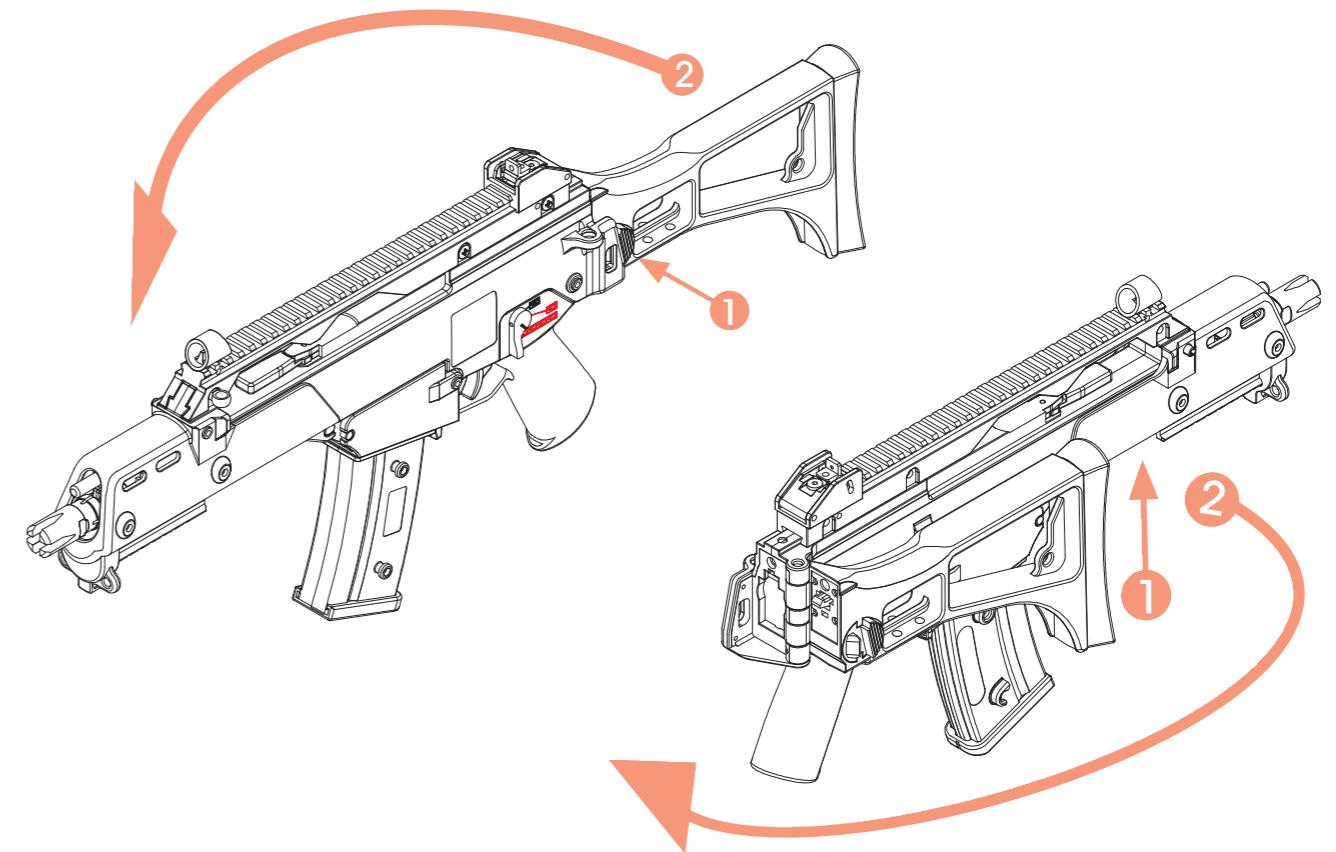
# Setting the magazine



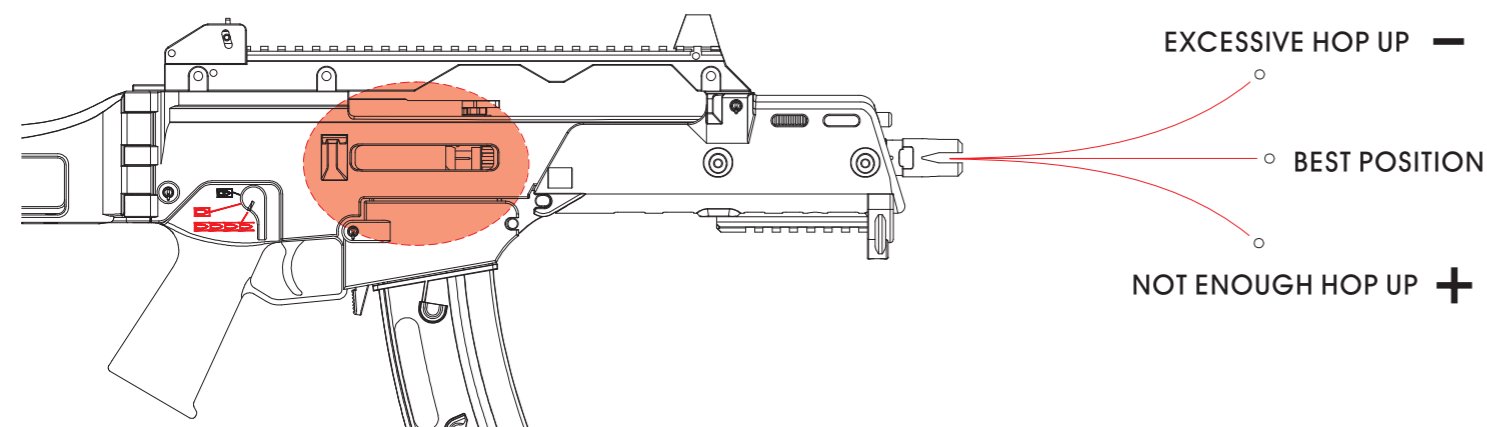
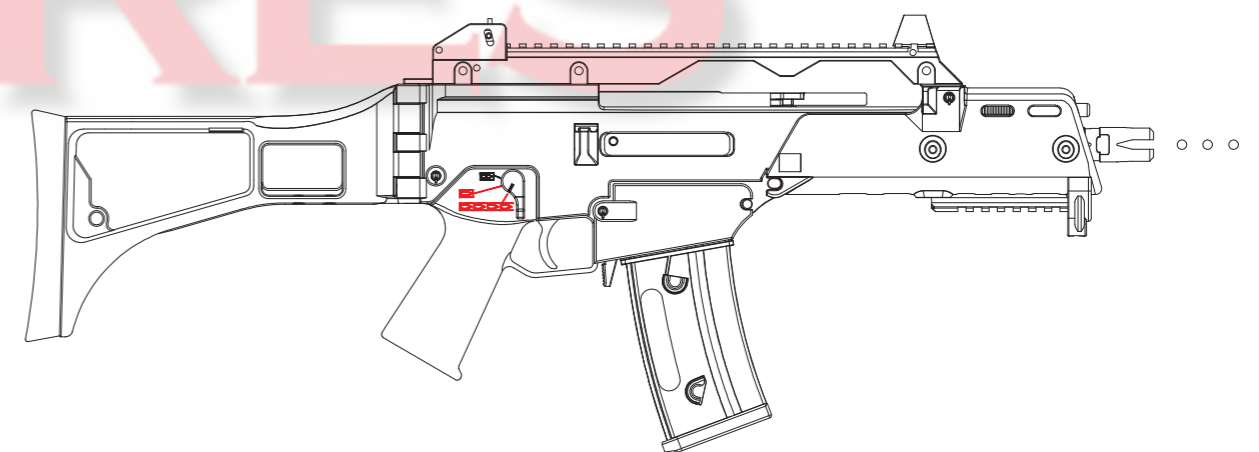
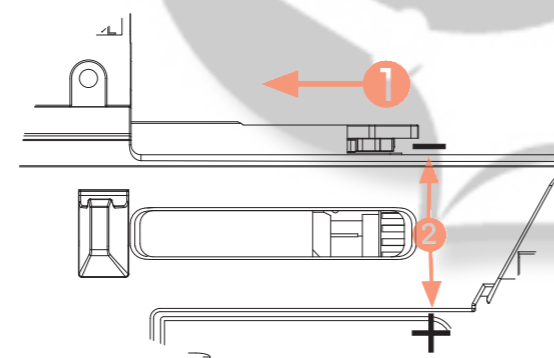
## Firing mode



## Folding Stock



## Hop-up adjustment



- .Do not aim or shoot a person or animal as the target.
- .Avoid pulling the trigger carelessly.
- .Always put the gun in a case or bag when you carrying it.
- .Always set the switch lever to the safety position.
- .Do not look into the gun muzzle.
- .Always wear eye protective gear.
- .Store the airsoft gun at the places out of reach by children.
- .Do not disassemble or modify the airsoft gun.